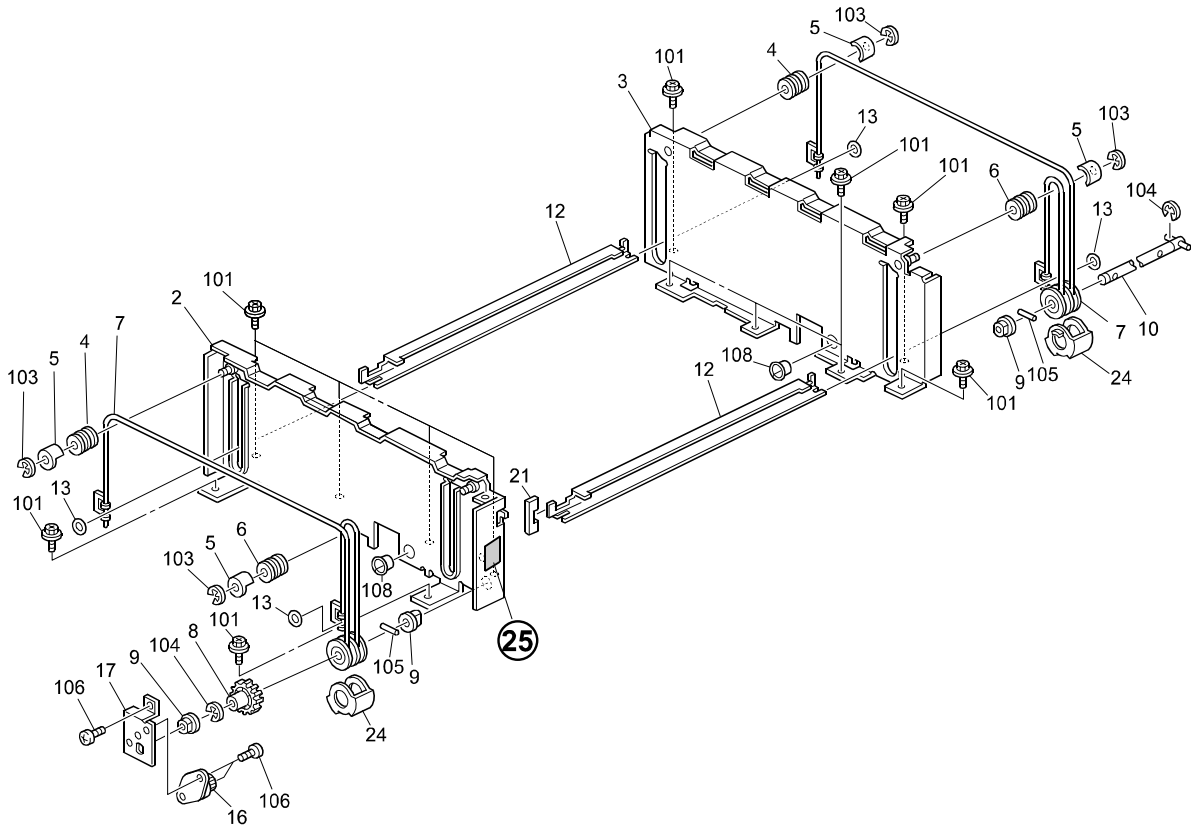


Model: Martini-C1 LCT (RT43) / B4/LG Kit / A3/DLT Kit	Date: 9-Jan-03	No.: MB473001
---	----------------	---------------

Modified Article: Case Seal		Prepared by: K. Miura	
From: Technical Services Sec. Service Planning Dept.			
Reason for Modification:	<input type="checkbox"/> Parts catalog correction	<input type="checkbox"/> Vendor change	<input type="checkbox"/> To meet standards ( )
	<input type="checkbox"/> To facilitate assembly	<input checked="" type="checkbox"/> To improve reliability	
	<input type="checkbox"/> Part standardization	<input type="checkbox"/> Other	

The following has been added to ensure that the wire shown below does not come out of position, which can occur when the A3/DLT kit is forcibly closed while there is slack in the wire (see the next page for the attachment position).

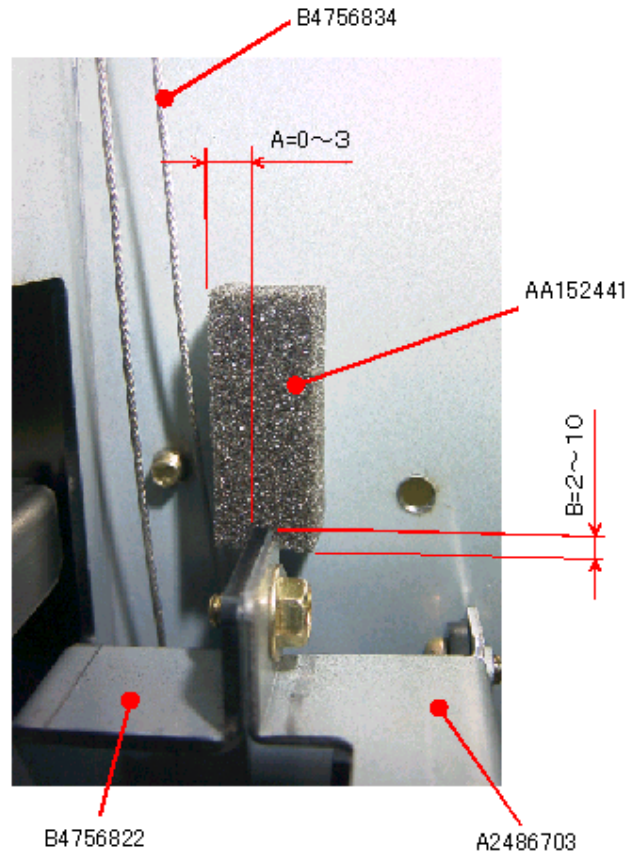
Old part number	New part number	Description	Q'ty	Int	Page	Index	Note
	AA152441	Case Seal	1		19	25	



Model: Martini-C1 LCT (RT43) / B4/LG Kit / A3/DLT Kit	Date: 9-Jan-03	No.: MB473001
---	----------------	---------------

**In the Field:**

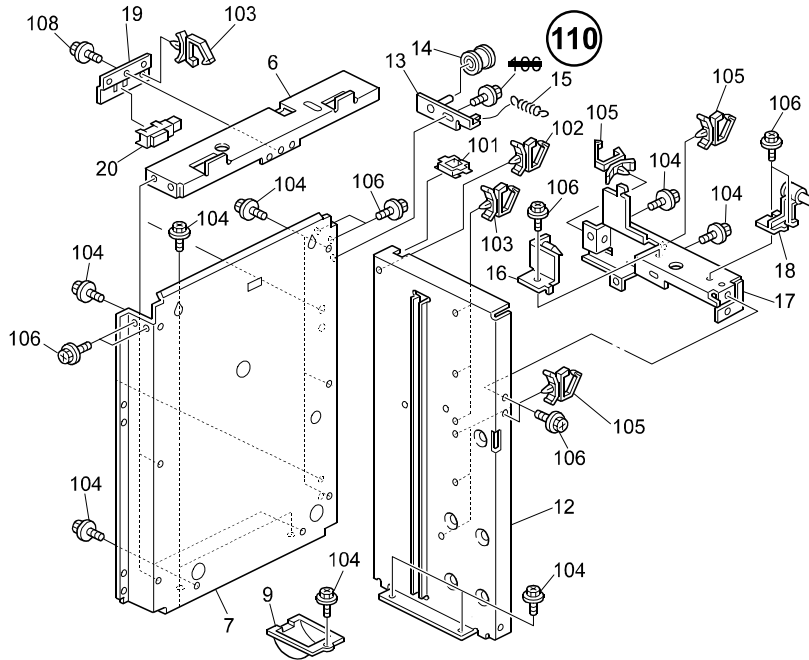
Please add the Case Seal as follows:



Model: Martini-C1 LCT (RT43)		Date: 23-Jan-03	No.: MB473002
Modified Article: Tightner Bracket Screw		Prepared by: K. Miura	
From: Technical Services Sec. Service Planning Dept.			
Reason for Modification:	<input type="checkbox"/> Parts catalog correction	<input type="checkbox"/> Vendor change	<input type="checkbox"/> To meet standards ( )
	<input type="checkbox"/> To facilitate assembly	<input checked="" type="checkbox"/> To improve reliability	
	<input type="checkbox"/> Part standardization	<input type="checkbox"/> Other	

To prevent the teeth of the paper feed timing belt (AA043944) from skipping, the fixing screw for the tightener bracket has been changed:

Old part number	New part number	Description	Q'ty	Int	Page	Index	Note
04514008B		Philips Tapping Screw - M4x8			13	106	
	09514008B	Philips Screw With Washer - M4x8		X/O	13	110	



**[RCL (Japan) Production ]**

MODEL NAME	V/Hz	DESTINATION	CODE	SERIAL NO.
RT43	120/60	USA	B473-17	J44301xxxxx
RT43	220-240/50, 60	Europe, etc.	B473-26	8P21020001
RT43	220-240/50, 60	Europe, etc.	B473-27	J4420900059

Model: Martini-C1 LCT (RT43)		Date: 28-Aug-03	No.: MB473003
Modified Article: Software modification		Prepared by: Y.Urushihara	
From: 1st Tech. Support Sec. Service Support Dept.			
Reason for Modification:	<input type="checkbox"/> Parts catalog correction	<input type="checkbox"/> Vendor change	<input type="checkbox"/> To meet standards ( )
	<input type="checkbox"/> To facilitate assembly	<input type="checkbox"/> To improve reliability	
	<input checked="" type="checkbox"/> Part standardization	<input type="checkbox"/> Other	

The following have been changed due to parts standardization.

Old part number	New part number	Description	Q'ty	Int	Page	Index	Note
B4735110	B4735130	Main Control Board	1-1	X/O	11	14	
B4735150	B4735151	IC – UVEPROM 512K X8 120NS	1-1	X/O	21	1	

**[RCL (Japan) Production ]**

MODEL NAME	V/Hz	DESTINATION	CODE	SERIAL NO.
RT43	120/60	USA	B473-17	J44308xxxxx
RT43	220-240/50, 60	Europe, etc.	B473-26	8P20830001
RT43	220-240/50, 60	Europe, etc.	B473-27	J4430700378

Model: Martini-C1 LCT (RT43)		Date: 28-Aug-03	No.: MB473004
Modified Article: Feed Roller		Prepared by: Y.Urushihara	
From: 1st Tech. Support Sec. Service Support Dept.			
Reason for Modification:	<input type="checkbox"/> Parts catalog correction	<input type="checkbox"/> Vendor change	<input type="checkbox"/> To meet standards ( )
	<input type="checkbox"/> To facilitate assembly	<input type="checkbox"/> To improve reliability	
	<input checked="" type="checkbox"/> Part standardization	<input type="checkbox"/> Other	

The following have been changed due to parts standardization.

Old part number	New part number	Description	Q'ty	Int	Page	Index	Note
B4731201	B4731203	Cover – Misfeed Removal	1-1	X/O	3	23	
AF031064	AF031081	Feed Roller	1-1	X/O	5	20	
AF030050	AF030080	Pick-up Roller	1-1	X/O	5	24	
AF032050	AF032080	Separation Roller	1-1	X/O	7	18	

**[RCL (Japan) Production ]**

MODEL NAME	V/Hz	DESTINATION	CODE	SERIAL NO.
RT43	120/60	USA	B473-17	J44308xxxxx
RT43	220-240/50, 60	Europe, etc.	B473-26	8P20830001
RT43	220-240/50, 60	Europe, etc.	B473-27	J4430800001